

## 1500-161 STOOL ASSEMBLY GUIDE

### PART LEGEND

<b>A</b>	Upholstered stool head
<b>B</b>	Upholstered stool skirt
<b>C</b>	Swivel assembly
<b>D</b>	Nut & Washer Assembly
<b>E</b>	Stool column
<b>F</b>	Swivel attachment bolt & washer

### ASSEMBLY INSTRUCTIONS

**1.** Mount column and bell to floor. Set bell in continuous sealant bead around perimeter of bell. Clean excess sealant from floor.

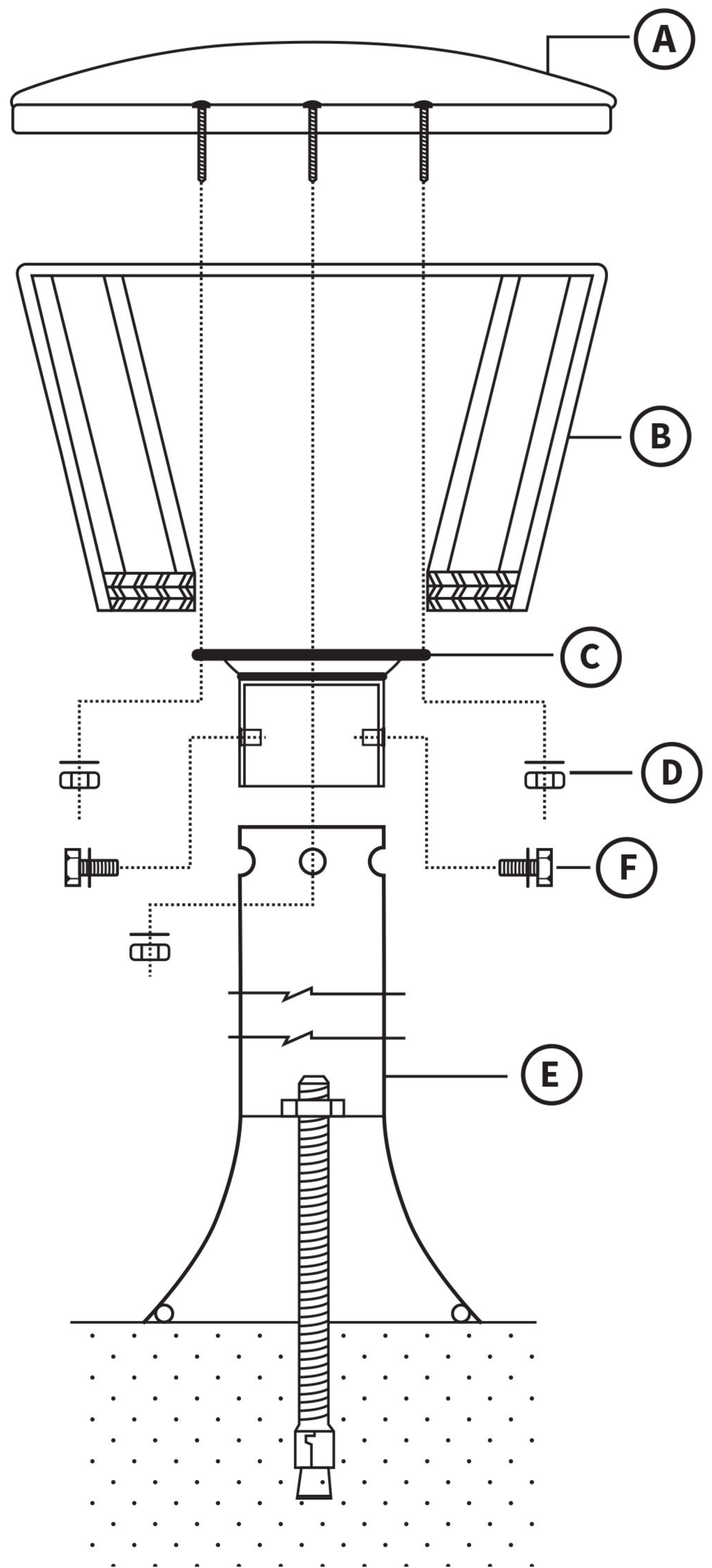
**Note:** Remove and replace swivel only as required to access hardware during shipping. Inspect all swivels for secure, tight fit.

**2.** Position (B) upholstered stool skirt over swivel and align stud holes.

**3.** Slide (A) upholstered stool head mounting studs through (B) skirt and (C) swivel assembly.

**4.** Attach (D) nut and washer assembly to (A) mounting studs tighten assembly complete.

**Note:** You will need a deep well socket and extension sufficient to reach and tighten nuts from underside



**TYPE-C**